

# gas valves

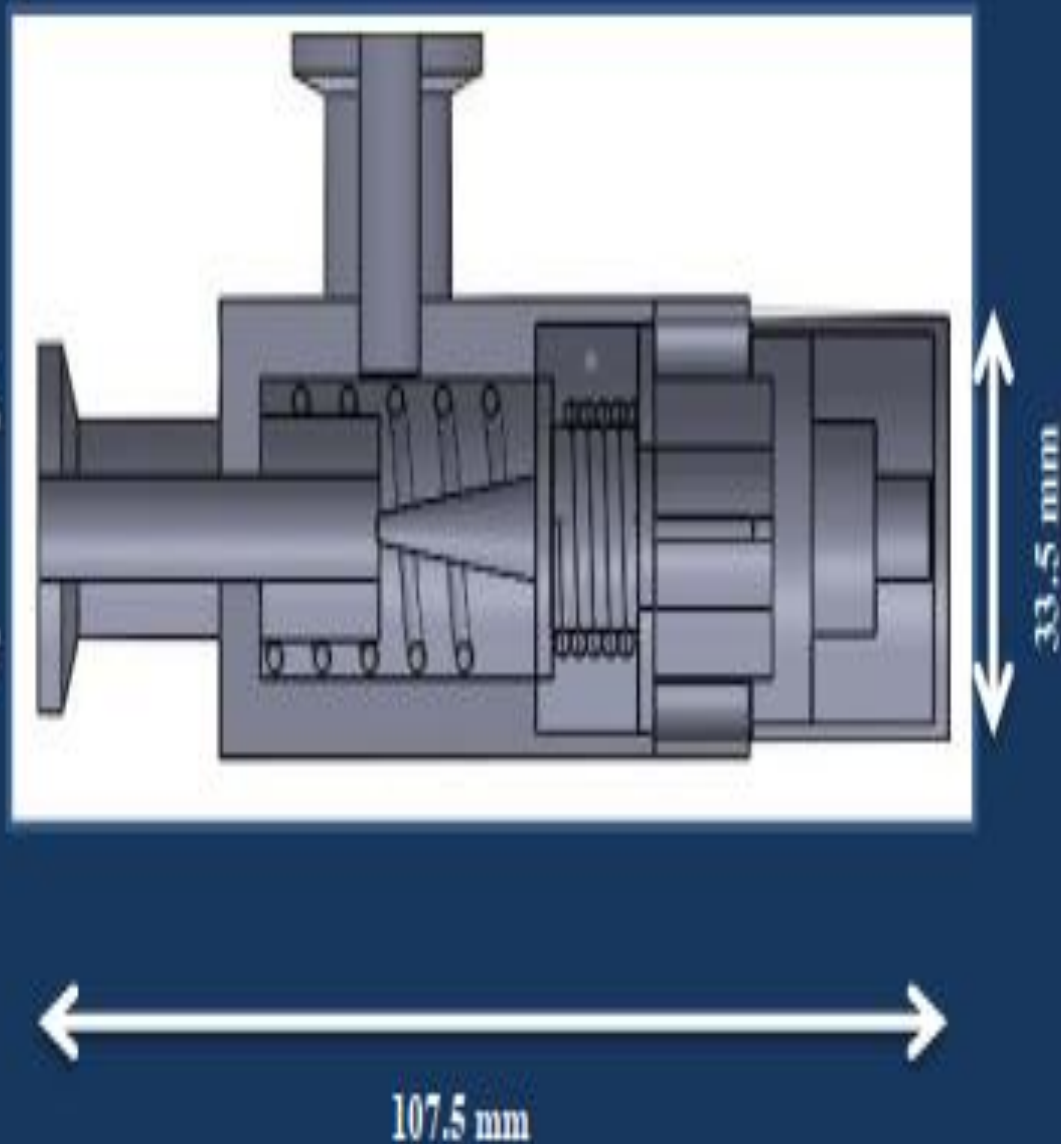
- ✓ In two models with all steel and aluminum body
- ✓ Working pressure:  $10^{-5}$  millibars
- ✓ Without the use of movable O-rings in the structure of the valve
- ✓ No corrosion of internal parts of the valve
- ✓ With metal accordion protection
- ✓ Has two openings of type NW10

Model needle valve  
s110



## Needle valves under vacuum

Without movable O-ring with  
accordion protection



Address : No. 31, No. 31, Imamzadeh  
Davood Road, North Itsargaran St.,  
Yadgar Imam Highway, Tehran

021-22095460

